



Head Office:

Crownings  
Brettenham  
Ipswich  
Suffolk IP7 7PA  
+44 (0) 1449 737999

info@edwardharpley.com  
www.edwardharpley.com

Showrooms:

**London**  
Chelsea Harbour Design Centre  
in association with Watts of Westminster  
3rd Floor Centre Dome  
Chelsea Harbour  
Hammersmith London SW10 0XE  
+44 (0) 20 7376 4486

**Berlin**  
in association with Wohnkultur  
10719 Berlin  
Fasanenstrasse 28/ Galerie  
+49(0) 40 33 55 53

**Moscow**  
in association with Kimberley Expertise  
Malaya Bronnaya, dom. 10  
Stroenie 2, 25  
123104 Moscow  
+7(495)290 5598

**Paris**  
marchand-mercier  
18, rue Saint-Louis en l'Ôle  
75004 Paris  
+33 6 19 08 85 82

## FOCUS/13

### Two new collections, three new tie back designs by Patricia Harpley

Expanded range of hand turned, hand finished curtain rings.

Mood board service reminder.



Harewood Collection



Ribbon Collection



Stoneleigh tieback



Carlton tieback



Profile rings, hand turned & hand finished

Edward Harpley was established in Suffolk, England in 1985. The company designs and makes solid wooden and metal curtain poles (drapery rods), finials, brackets, curtain rings and pelmets. It uses a wide range of beautiful timbers, from oak and walnut to cherry and maple.

Everything is handcrafted in England. Edward Harpley's carvers, wood turners, blacksmiths, gilders and decorators are dedicated to producing perfection using traditional techniques. The wood comes from sustainable resources.

There are now over 125 finial designs and 9 pole styles in 5 standard diameters.

Edward Harpley has also recreated and created a number of masterpieces that have found their way into some of the world's most beautiful buildings.

### Contact:

#### Patricia Harpley

Office and workshop:  
Crownings, Buxhall Road  
Brettenham, Ipswich, IP7 7PA  
01449 737999  
pat@edwardharpley.com

UK Showroom:  
With Watts of Westminster  
3rd Floor Centre Dome, Chelsea Design Centre,  
Chelsea Harbour, London SW10 0XE  
020 7376 4486

Edward Harpley Curtain Poles Finials and Pelmets Limited  
Registered office:  
Walter Wright, 89 High Street Hadleigh  
Ipswich, Suffolk IP7 5EA  
Company number: 03543286



Head Office:

Crownings  
Brettenham  
Ipswich  
Suffolk IP7 7PA  
+44 (0) 1449 737999

info@edwardharpley.com  
www.edwardharpley.com

Showrooms:

**London**  
Chelsea Harbour Design Centre  
in association with Watts of Westminster  
3rd Floor Centre Dome  
Chelsea Harbour  
Hammersmith London SW10 0XE  
+44 (0) 20 7376 4486

**Berlin**  
in association with Wohnkultur  
10719 Berlin  
Fasanenstrasse 28/ Galerie  
+49(0) 40 33 55 53

**Moscow**  
in association with Kimberley Expertise  
Malaya Bronnaya, dom. 10  
Stroenie 2, 25  
123104 Moscow  
+7(495)290 5598

**Paris**  
marchand-mercier  
18, rue Saint-Louis en l'Île  
75004 Paris  
+33 6 19 08 85 82

## FOCUS/13

### New Designs, New Collections

#### The HAREWOOD COLLECTION

Based on Thomas Chippendale's Famous Desk at Harewood House these intricate carvings exude classical elegance and enduring style.

Patricia Harpley has taken the decorative details beloved by the master: guilloches, husks, gadroons, waterleaves, and used them to adorn a beautiful bracket and finial for the 21st century.

They are now available, hand carved in any timber, to any size, or in resin, in two sizes.

The hand turned profile beaded rings, shown, are made in mahogany with individual gilded beads, set in the grooves.



#### Harewood Collection

Curtain pole, finial, bracket & rings

#### Contact:

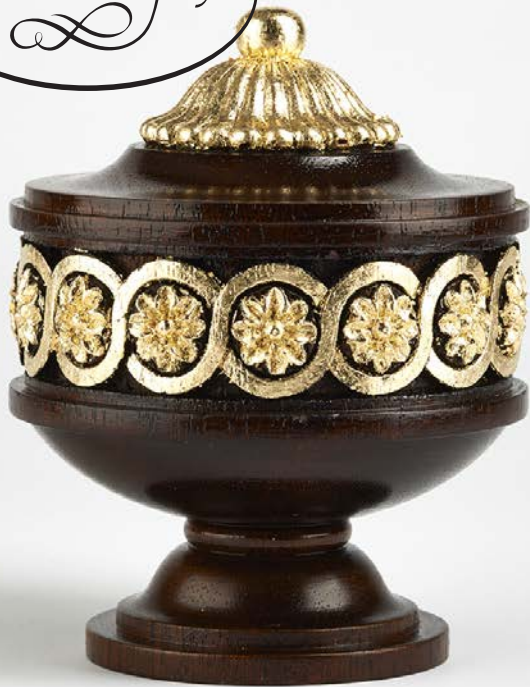
##### Patricia Harpley

Office and workshop:  
Crownings, Buxhall Road  
Brettenham, Ipswich, IP7 7PA  
01449 737999  
pat@edwardharpley.com

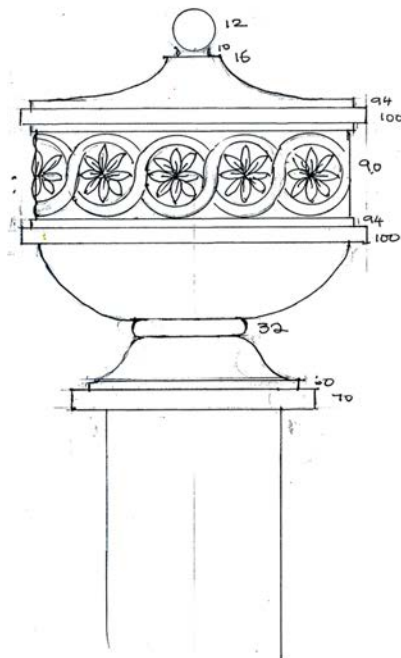
UK Showroom:  
With Watts of Westminster  
3rd Floor Centre Dome, Chelsea Design Centre,  
Chelsea Harbour, London SW10 0XE  
020 7376 4486

Edward Harpley Curtain Poles Finials and Pelmet Limited  
Registered office:  
Walter Wright, 89 High Street Hadleigh  
Ipswich, Suffolk IP7 5EA  
Company number: 03543286

Edward Harpley



Harewood Collection  
Finial, hand carved in mahogany & gilded

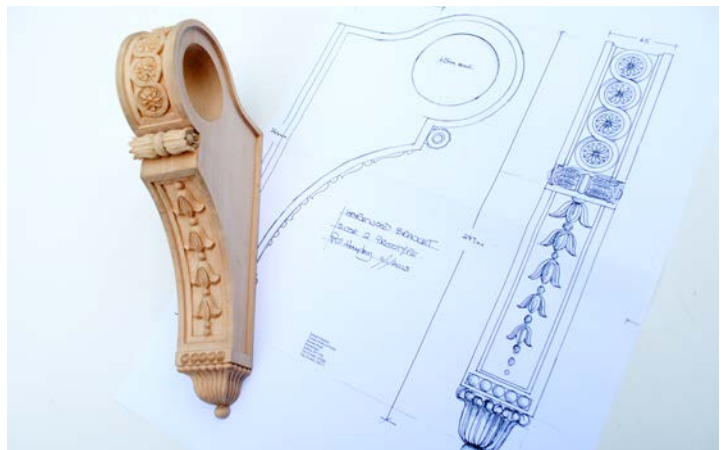


PROTOTYPE ①  
HAREWOOD FINIAL  
① SIZE 1  
Pat. Harpley . 9/7/13

Harewood Collection  
Original drawing



Harewood Collection  
Bracket, hand carved & gilded



Harewood Collection  
Prototype

All images in this pack are available to use, please get in touch with us if you would like to use them.

Contact:

Patricia Harpley

Office and workshop:  
Crownings, Buxhall Road  
Brettenham, Ipswich, IP7 7PA  
01449 737999  
pat@edwardharpley.com

UK Showroom:  
With Watts of Westminster  
3rd Floor Centre Dome, Chelsea Design Centre,  
Chelsea Harbour, London SW10 0XE  
020 7376 4486

Edward Harpley Curtain Poles Finials and Pelmet Limited  
Registered office:  
Walter Wright, 89 High Street Hadleigh  
Ipswich, Suffolk IP7 5EA  
Company number: 03543286





Head Office:

Crownings  
Brettenham  
Ipswich  
Suffolk IP7 7PA  
+44 (0) 1449 737999

info@edwardharpley.com  
www.edwardharpley.com

Showrooms:

**London**  
Chelsea Harbour Design Centre  
in association with Watts of Westminster  
3rd Floor Centre Dome  
Chelsea Harbour  
Hammersmith London SW10 0XE  
+44 (0) 20 7376 4486

**Berlin**  
in association with Wohnkultur  
10719 Berlin  
Fasanenstrasse 28/ Galerie  
+49(0) 40 33 55 53

**Moscow**  
in association with Kimberley Expertise  
Malaya Bronnaya, dom. 10  
Stroenie 2, 25  
123104 Moscow  
+7(495)290 5598

**Paris**  
marchand-mercier  
18, rue Saint-Louis en l'Île  
75004 Paris  
+33 6 19 08 85 82

## FOCUS/13

### New Designs, New Collections

#### The RIBBON COLLECTION

Introducing the Ribbon finial and bracket, to match the ribbon pole, already in the range.

A beautiful, compact finial, hand carved in any timber or size, or in resin in two sizes.

Matching bracket, compact and elegant, again in any timber or size and in resin in two sizes.

Shown in Mahogany finish and Dutch metal leaf.



The Ribbon Collection

*Contact:*

**Patricia Harpley**

Office and workshop:  
Crownings, Buxhall Road  
Brettenham, Ipswich, IP7 7PA  
01449 737999  
pat@edwardharpley.com

UK Showroom:  
With Watts of Westminster  
3rd Floor Centre Dome, Chelsea Design Centre,  
Chelsea Harbour, London SW10 0XE  
020 7376 4486

Edward Harpley Curtain Poles Finials and Pelmet Limited  
Registered office:  
Walter Wright, 89 High Street Hadleigh  
Ipswich, Suffolk IP7 5EA  
Company number: 03543286



**Ribbon Collection**

Curtain pole, finial and bracket in mahogany finish with Dutch metal leaf



**Ribbon Collection**

Bracket in mahogany finish with Dutch metal leaf



**Ribbon Collection**

Finial in mahogany finish with Dutch metal leaf

All images in this pack are available to use, please get in touch with us if you would like to use them.

**Contact:**

**Patricia Harpley**

Office and workshop:  
Crownings, Buxhall Road  
Brettenham, Ipswich, IP7 7PA  
01449 737999  
pat@edwardharpley.com

UK Showroom:  
With Watts of Westminster  
3rd Floor Centre Dome, Chelsea Design Centre,  
Chelsea Harbour, London SW10 0XE  
020 7376 4486

Edward Harpley Curtain Poles Finials and Pelmetts Limited  
Registered office:  
Walter Wright, 89 High Street Hadleigh  
Ipswich, Suffolk IP7 5EA  
Company number: 03543286





Head Office:

Crownings  
Brettenham  
Ipswich  
Suffolk IP7 7PA  
+44 (0) 1449 737999

info@edwardharpley.com  
www.edwardharpley.com

Showrooms:

**London**  
Chelsea Harbour Design Centre  
in association with Watts of Westminster  
3rd Floor Centre Dome  
Chelsea Harbour  
Hammersmith London SW10 0XE  
+44 (0) 20 7376 4486

**Berlin**  
in association with Wohnkultur  
10719 Berlin  
Fasanenstrasse 28/ Galerie  
+49(0) 40 33 55 53

**Moscow**  
in association with Kimberley Expertise  
Malaya Bronnaya, dom. 10  
Stroenie 2, 25  
123104 Moscow  
+7(495)290 5598

**Paris**  
marchand-mercier  
18, rue Saint-Louis en l'Île  
75004 Paris  
+33 6 19 08 85 82

## FOCUS/13

### New Designs, New Collections

#### STONELEIGHT TIEBACK

A beautiful Scroll design, inspired by carved gilded originals from our antique stock.

Grand scale and fine detail.

Made in resin, shown in distressed Dutch metal leaf, available in any finish.



Stoneleigh tieback

*Contact:*

**Patricia Harpley**

Office and workshop:  
Crownings, Buxhall Road  
Brettenham, Ipswich, IP7 7PA  
01449 737999  
pat@edwardharpley.com

UK Showroom:  
With Watts of Westminster  
3rd Floor Centre Dome, Chelsea Design Centre,  
Chelsea Harbour, London SW10 0XE  
020 7376 4486

Edward Harpley Curtain Poles Finials and Pelmetts Limited  
Registered office:  
Walter Wright, 89 High Street Hadleigh  
Ipswich, Suffolk IP7 5EA  
Company number: 03543286



Head Office:

Crownings  
Brettenham  
Ipswich  
Suffolk IP7 7PA  
+44 (0) 1449 737999

info@edwardharpley.com  
www.edwardharpley.com

Showrooms:

**London**  
Chelsea Harbour Design Centre  
in association with Watts of Westminster  
3rd Floor Centre Dome  
Chelsea Harbour  
Hammersmith London SW10 0XE  
+44 (0) 20 7376 4486

**Berlin**  
in association with Wohnkultur  
10719 Berlin  
Fasanenstrasse 28/ Galerie  
+49(0) 40 33 55 53

**Moscow**  
in association with Kimberley Expertise  
Malaya Bronnaya, dom. 10  
Stroenie 2, 25  
123104 Moscow  
+7(495)290 5598

**Paris**  
marchand-mercier  
18, rue Saint-Louis en l'Ôle  
75004 Paris  
+33 6 19 08 85 82

## FOCUS/13

### New Designs, New Collections

#### CARLTON TIEBACK

A Waterleaf design, a feature of the 18th Century, enhanced with beading, bold and decorative.

Made in resin, shown in gilt on red, distressed.



Carlton tieback

*Contact:*

**Patricia Harpley**

Office and workshop:  
Crownings, Buxhall Road  
Brettenham, Ipswich, IP7 7PA  
01449 737999  
pat@edwardharpley.com

UK Showroom:  
With Watts of Westminster  
3rd Floor Centre Dome, Chelsea Design Centre,  
Chelsea Harbour, London SW10 0XE  
020 7376 4486

Edward Harpley Curtain Poles Finials and Pelmets Limited  
Registered office:  
Walter Wright, 89 High Street Hadleigh  
Ipswich, Suffolk IP7 5EA  
Company number: 03543286





Head Office:

Crownings  
Brettenham  
Ipswich  
Suffolk IP7 7PA  
+44 (0) 1449 737999

info@edwardharpley.com  
www.edwardharpley.com

Showrooms:

**London**  
Chelsea Harbour Design Centre  
in association with Watts of Westminster  
3rd Floor Centre Dome  
Chelsea Harbour  
Hammersmith London SW10 0XE  
+44 (0) 20 7376 4486

**Berlin**  
in association with Wohnkultur  
10719 Berlin  
Fasanenstrasse 28/ Galerie  
+49(0) 40 33 55 53

**Moscow**  
in association with Kimberley Expertise  
Malaya Bronnaya, dom. 10  
Stroenie 2, 25  
123104 Moscow  
+7(495)290 5598

**Paris**  
marchand-mercier  
18, rue Saint-Louis en l'Ôle  
75004 Paris  
+33 6 19 08 85 82

## FOCUS/13

### New Designs, New Collections

#### BAMBOO TIEBACK

Made to match the Bamboo finial and Bamboo pole, which are usually made in Bamboo Effect but shown here in bright-sharp green, for a more contemporary look.



Bamboo tieback, curtain pole & finial with Blacksmith bracket in matching green

All images in this pack are available to use, please get in touch with us if you would like to use them.

#### Contact:

##### Patricia Harpley

Office and workshop:  
Crownings, Buxhall Road  
Brettenham, Ipswich, IP7 7PA  
01449 737999  
pat@edwardharpley.com

UK Showroom:  
With Watts of Westminster  
3rd Floor Centre Dome, Chelsea Design Centre,  
Chelsea Harbour, London SW10 0XE  
020 7376 4486

Edward Harpley Curtain Poles Finials and Pelmet Limited  
Registered office:  
Walter Wright, 89 High Street Hadleigh  
Ipswich, Suffolk IP7 5EA  
Company number: 03543286





Head Office:

Crownings  
Brettenham  
Ipswich  
Suffolk IP7 7PA  
+44 (0) 1449 737999

info@edwardharpley.com  
www.edwardharpley.com

Showrooms:

**London**  
Chelsea Harbour Design Centre  
in association with Watts of Westminster  
3rd Floor Centre Dome  
Chelsea Harbour  
Hammersmith London SW10 0XE  
+44 (0) 20 7376 4486

**Berlin**  
in association with Wohnkultur  
10719 Berlin  
Fasanenstrasse 28/ Galerie  
+49(0) 40 33 55 53

**Moscow**  
in association with Kimberley Expertise  
Malaya Bronnaya, dom. 10  
Stroenie 2, 25  
123104 Moscow  
+7(495)290 5598

**Paris**  
marchand-mercier  
18, rue Saint-Louis en l'Ôle  
75004 Paris  
+33 6 19 08 85 82

## FOCUS/13

### New Designs, New Collections

#### PROFILE RINGS

Unique amongst the pole makers, we are expanding our range of hand turned and hand finished curtain rings, to 8 designs. Limitless choice, gilded or beaded, matching cord or painted in 3 colours, individual and limitless in choice.



Profile rings, hand turned and hand finished

All images in this pack are available to use, please get in touch with us if you would like to use them.

#### Contact:

##### Patricia Harpley

Office and workshop:  
Crownings, Buxhall Road  
Brettenham, Ipswich, IP7 7PA  
01449 737999  
pat@edwardharpley.com

UK Showroom:  
With Watts of Westminster  
3rd Floor Centre Dome, Chelsea Design Centre,  
Chelsea Harbour, London SW10 0XE  
020 7376 4486

Edward Harpley Curtain Poles Finials and Pelmets Limited  
Registered office:  
Walter Wright, 89 High Street Hadleigh  
Ipswich, Suffolk IP7 5EA  
Company number: 03543286



Head Office:

Crownings  
Brettenham  
Ipswich  
Suffolk IP7 7PA  
+44 (0) 1449 737999

info@edwardharpley.com  
www.edwardharpley.com

Showrooms:

**London**  
Chelsea Harbour Design Centre  
in association with Watts of Westminster  
3rd Floor Centre Dome  
Chelsea Harbour  
Hammersmith London SW10 0XE  
+44 (0) 20 7376 4486

**Berlin**  
in association with Wohnkultur  
10719 Berlin  
Fasanenstrasse 28/ Galerie  
+49(0) 40 33 55 53

**Moscow**  
in association with Kimberley Expertise  
Malaya Bronnaya, dom. 10  
Stroenie 2, 25  
123104 Moscow  
+7(495)290 5598

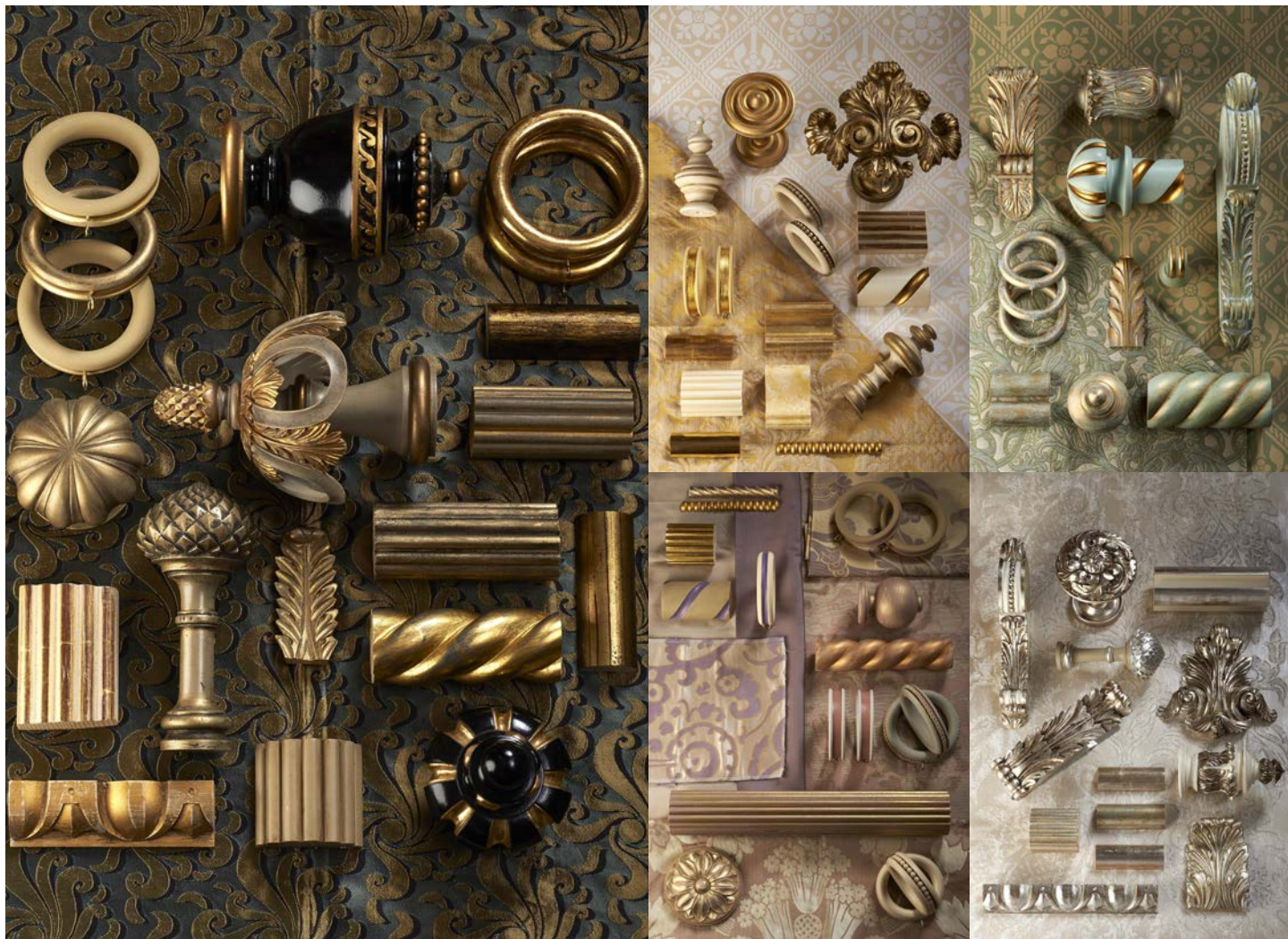
**Paris**  
marchand-mercier  
18, rue Saint-Louis en l'Ôle  
75004 Paris  
+33 6 19 08 85 82

## FOCUS/13

### New Designs, New Collections

#### MOOD BOARDS/BESPOKE COLOURS

We've always offered this service, but now we can show the endless possibilities with finishes, designs and colours. Combinations which set us apart from the rest.



All images in this pack are available to use, please get in touch with us if you would like to use them.

#### Contact:

##### Patricia Harpley

Office and workshop:  
Crownings, Buxhall Road  
Brettenham, Ipswich, IP7 7PA  
01449 737999  
pat@edwardharpley.com

UK Showroom:  
With Watts of Westminster  
3rd Floor Centre Dome, Chelsea Design Centre,  
Chelsea Harbour, London SW10 0XE  
020 7376 4486

Edward Harpley Curtain Poles Finials and Pelmet Limited  
Registered office:  
Walter Wright, 89 High Street Hadleigh  
Ipswich, Suffolk IP7 5EA  
Company number: 03543286